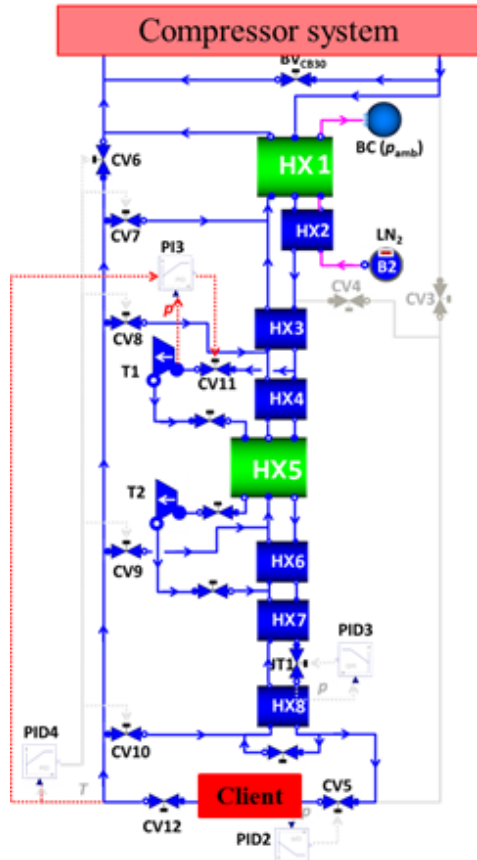


# Modeling He refrigerator and comparison with experiments



 **Dymola**

**4C code**

- Problem: the He refrigerator and the SC magnets are tightly coupled, especially during cooldown operation
- Aim of the work:
  - a) Complete the model of the He refrigerator with Modelica
  - b) Couple the model with the magnet model and compare with experiments
- Prerequisites: none (but having attended the 30 hours on Modelica in this course is a big plus...)